



Type "B" Single Stage Centrifugal Pump Bearing Frame Mount

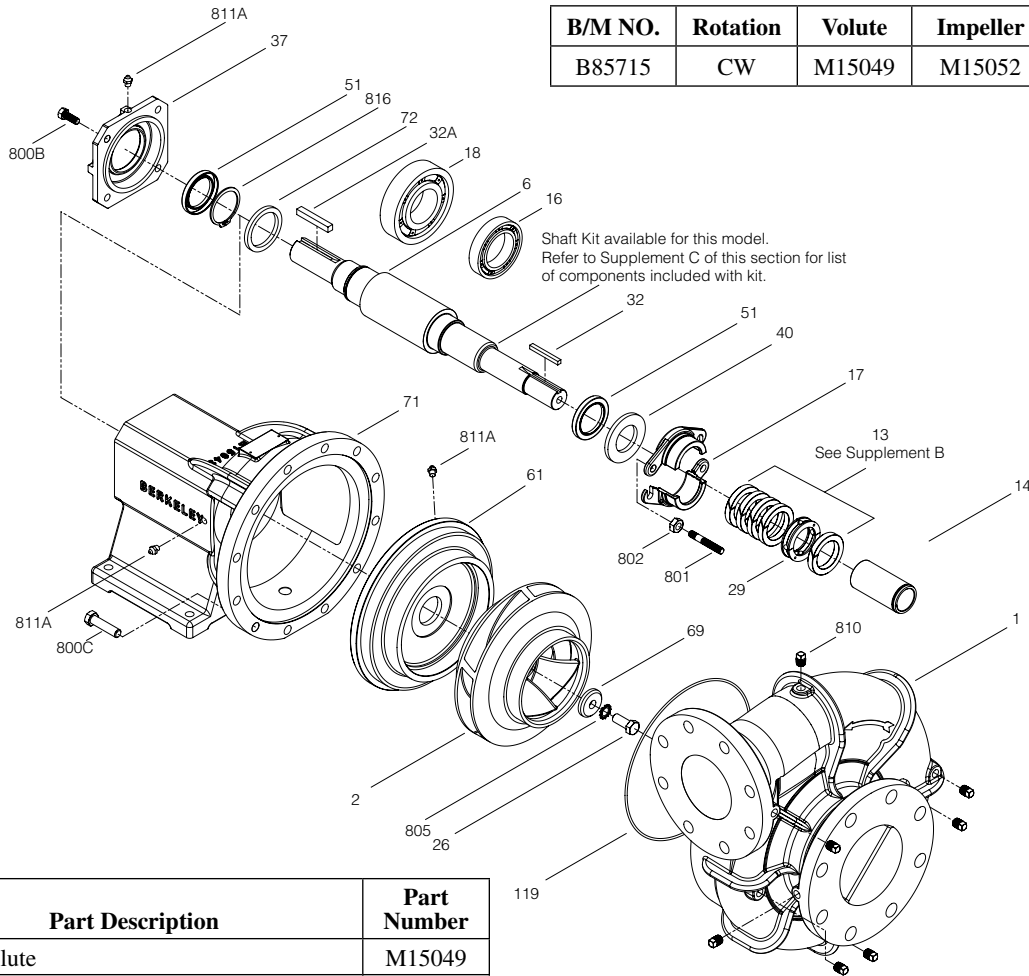
Section	FM
Page	227.1
Date	August 17, 2010
	New

CAST IRON IMPELLER

B5ZRBH

Power Frame Case

Packing Construction



B/M NO.	Rotation	Volute	Impeller	Impeller Dia.
B85715	CW	M15049	M15052	9.50

Item No.	Part Description	Part Number
1	Case, Volute	M15049
2	Impeller	M15052
6	Shaft	M15091
13	Ring, Packing (Set of 4)	S13435
14	Sleeve, Shaft (Note 3)	B85741
16	Bearing, Ball	M15097
17	Gland, Packing	B82470
18	Bearing, Ball	S13754
26	Screw, Impeller	S23621
29	Ring, Lantern	S19200
32	Key, 1/4" X 2-1/4"	S23677
32A	Key, 3/8" x 2-1/2"	S23941
37	Outer Bearing Cap	M15054
40	Slinger, Water	S10964
51	Seal, Oil (2 rqd)	M12337
61	Plate, Seal	M15047
69	Washer, Impeller	S06319
71	Bracket	M15043

72	Ring, Thrust	M15095
119	O-Ring	M15099
800B	Screw, 3/8-16 X 1" LG CRS (4 rqd)	S26826
800C	Screw, 1/2-13NC X 2" LG CRS (12 rqd)	S26920
801	Stud, 3/8-16NC X 2-1/2" LG 416SS (2 rqd)	S04438
802	Nut, Hex, Lock 3/8-16 SS (2 rqd)	M13771
805	Washer, Lock	S23038
810	Plug, Pipe	S23715
811A	Fitting, Grease	S23700
811B	Fitting, Grease	S23702
816	Ring, Retaining	M15094

NOTES

- 1 Shaft replacement kit B85739 includes items 6, 14, 16, 18, 26, 32, 32A, 40, 51, 69, 72, 805, 816
- 2 Impeller kit B85755 includes items 26, 32, 69, 119, 805
- 3 Shaft sleeve kit B85741 includes item 14, adhesive and instruction sheet



Type "B" Single Stage Centrifugal Pump Bearing Frame Mount

Section	FM
Page	227.2
Date	August 17, 2010
	New

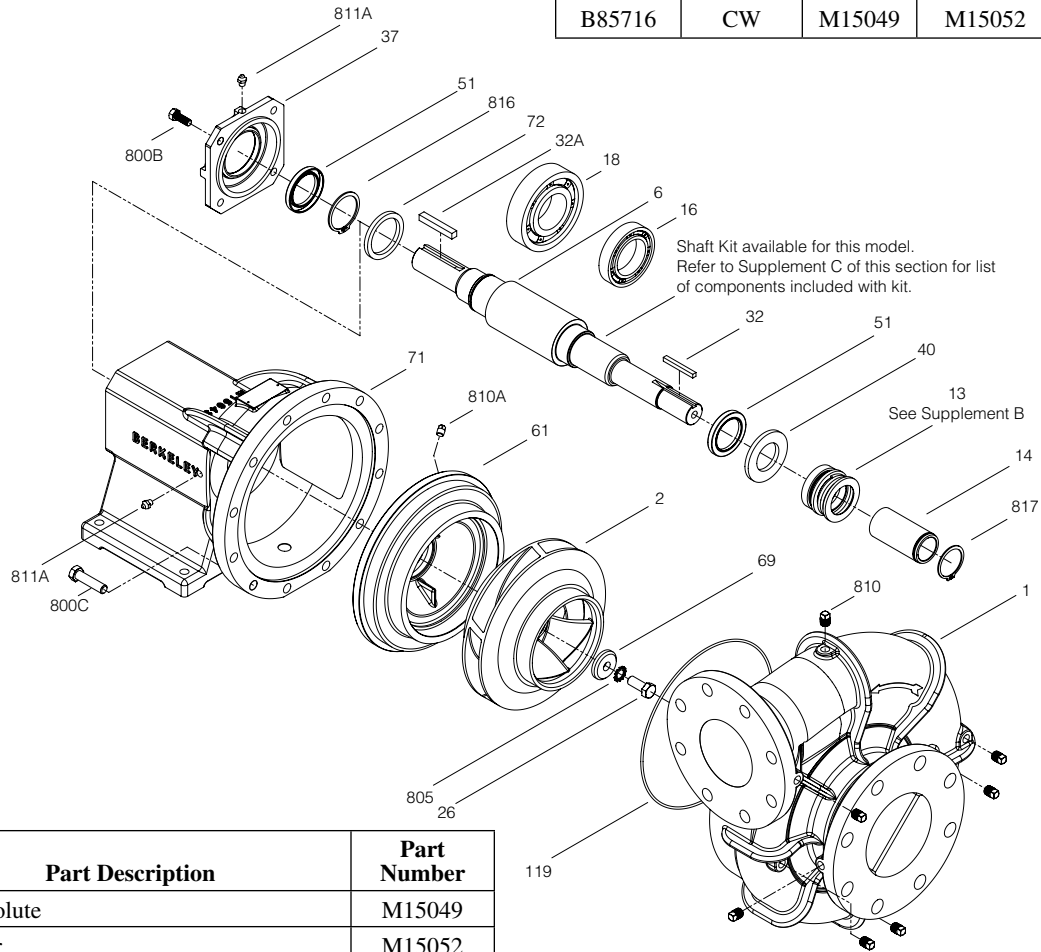
CAST IRON IMPELLER

B5ZRBHS

Power Frame Case

Mechanical Shaft Seal Construction

B/M NO.	Rotation	Volute	Impeller	Impeller Dia.
B85716	CW	M15049	M15052	9.50



Shaft Kit available for this model.
Refer to Supplement C of this section for list of components included with kit.

See Supplement B

Item No.	Part Description	Part Number
1	Case, Volute	M15049
2	Impeller	M15052
6	Shaft	M15091
13	Seal, Mechanical	S32015
14	Sleeve, Shaft (Note 3)	B85741
16	Bearing, Ball	M15097
18	Bearing, Ball	S13754
26	Screw, Impeller	S23621
32	Key, 1/4" X 2-1/4"	S23677
32A	Key, 3/8" x 2-1/2"	S23941
37	Outer Bearing Cap	M15054
40	Slinger, Water	S10964
51	Seal, Oil	M12337
61	Plate, Seal	M15046
69	Washer, Impeller	S06319
71	Bracket	M15043
72	Ring, Thrust	M15095

119	O-Ring	M15099
800B	Screw, 3/8-16 X 1 LG CRS (4 rqd)	S26826
800C	Screw, 1/2-13NC X 2 LG CRS (12 rqd)	S26920
805	Washer, Lock	S23038
810	Plug, Pipe	S23715
810A	Plug, Pipe	U78-56ZPS
811A	Fitting, Grease	S23700
816	Ring, Retaining	M15094
817	Ring, Retaining	S16767

NOTES

- 1 Shaft replacement kit B85739 includes items 6, 14, 16, 18, 26, 32, 32A, 40, 51, 69, 72, 805, 816
- 2 Impeller kit B85755 includes items 26, 32, 69, 119, 805
- 3 Shaft sleeve kit B85741 includes item 14, adhesive and instruction sheet