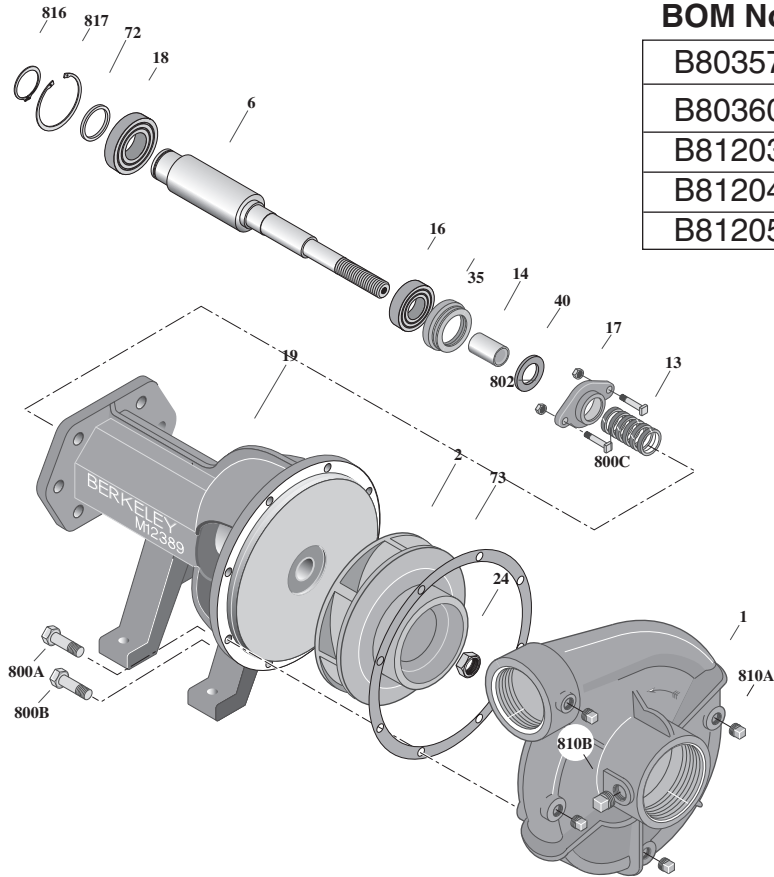


# Pump Nomenclature

## B3ZRM Bearing Frame Mount

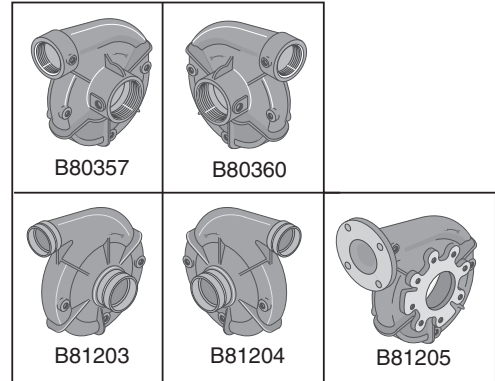
### Parts Breakdown



BOM No.	Rotation	Volute	Connection
B80357	CW	H00689	NPT
B80360	CCW	H00698	NPT
B81203	CW	H04040	Victaulic
B81204	CCW	H04041	Victaulic
B81205	CW	H05130	Flanged

### Replacement Shaft Kits

B80519	CW
B80518	CCW



Key No.	Part Description	Qty.	Part Number
1	Volute	1	See Chart
2	Impeller (Clockwise Rotation)	1	M13582
2	Impeller (Counterclockwise Rotation)	1	M13583
6	Shaft (Clockwise Rotation)	1	1000000880*
6	Shaft (Counterclockwise Rotation)	1	1000000879*
13	Packing Ring	6	S08281
14	Shaft Sleeve	1	S05127*
16	Single Row Ball Bearing - Small	1	M12395*
17	Packing Gland	1	S04948
18	Single Row Ball Bearing - Large	1	M12394*
19	Bracket	1	M12389
24	Impeller Nut (Clockwise Rotation)	1	M10220
24	Impeller Nut (Counterclockwise Rotation – LH Thread)	1	U36-189SS
35	Inner Bearing Cap	1	S19033
40	Slinger	1	S12260
72	Washer	1	M12392*
73	Volute Gasket	1	S05126
800A	3/8-16x7/8" Lg. Hex Hd. Capscrew	6	S26825
800B	3/8-16x1-1/8" Lg. Hex Hd. Capscrew	2	S26827
800C	3/8-16 Sq. Hd. Machine Bolt	2	S23761
802	3/8-16 BRS Hex Nut	2	S23343
810A	1/4" NPT Sq. Hd. Pipe Plug	4	S23715
810B	1/2" NPT Sq. Hd. Pipe Plug	1	S23717
816	Bearing Retaining Ring	1	M12486*
817	Shaft Retaining Ring	1	M12487*

\* Items included in the Shaft Replacement Kit.