



TYPE "B" SINGLE STAGE CENTRIFUGAL PUMP Bearing Frame Mount

| | |
|--------------------|-----------------|
| Section | FM |
| Page | 130.7 |
| Date | January 1, 2004 |
| Supersedes 12/1/95 | |

CAST IRON IMPELLER

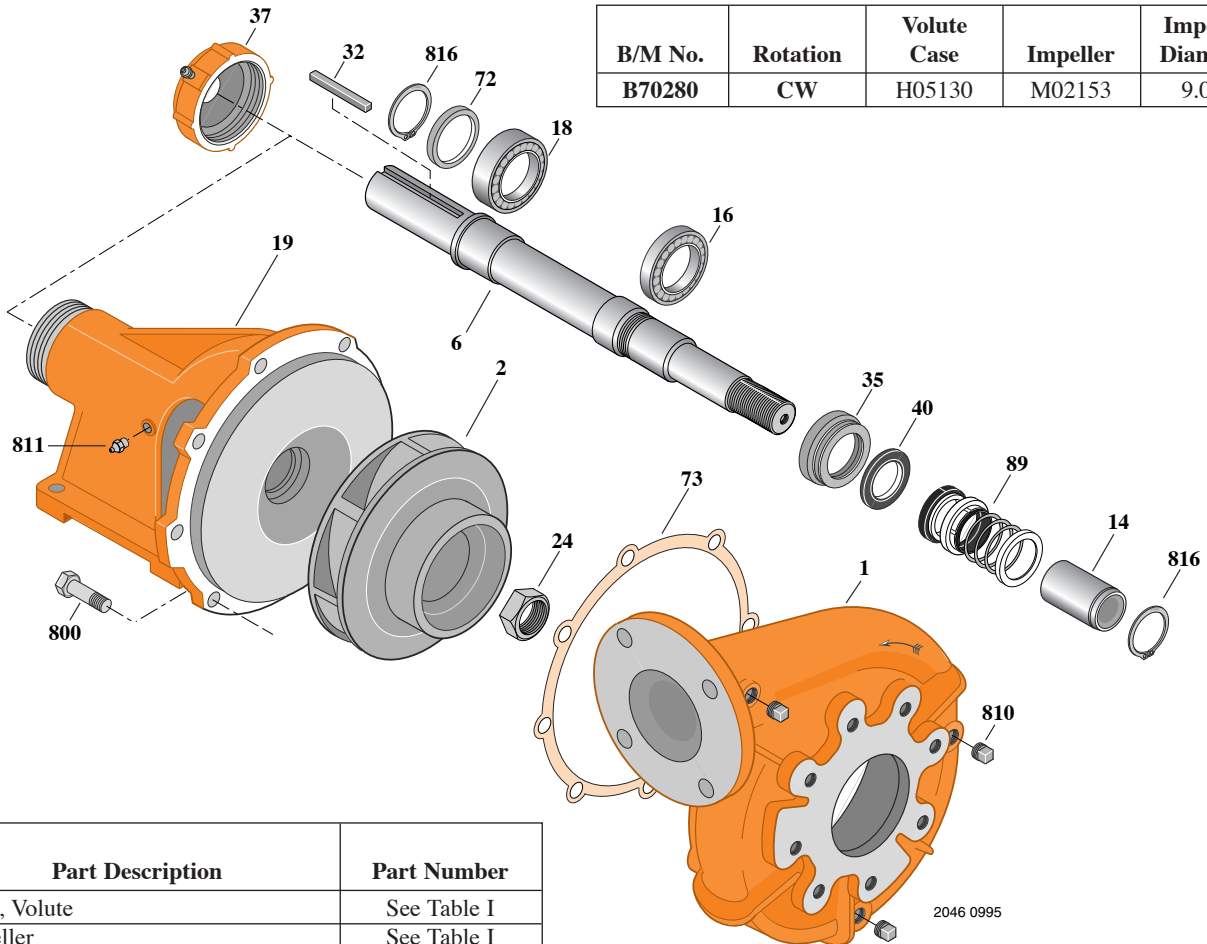
B3ZRMS

Flanged Case

Mechanical Seal Construction

TABLE I

| B/M No. | Rotation | Volute Case | Impeller | Impeller Diameter |
|---------|----------|-------------|----------|-------------------|
| B70280 | CW | H05130 | M02153 | 9.00" |



| Item No. | Part Description | Part Number |
|----------|----------------------------------|-------------|
| 1 | Case, Volute | See Table I |
| 2 | Impeller | See Table I |
| 6 | Shaft (Not sold separately) | See Note 1 |
| 14 | Sleeve, Shaft | S39242 |
| 16 | Bearing, Ball | S13270 |
| 18 | Bearing, Ball | S13271 |
| 19 | Frame | H04007 |
| 24 | Locknut, Impeller | M10220 |
| 32 | Key, 1/4x21-1/8" | S24255 |
| 35 | Inner Bearing Cap | S19033 |
| 37 | Outer Bearing Cap Assembly* | S19914 |
| 40 | Slinger, Water | S12260 |
| 72 | Ring, Thrust | S29218 |
| 73 | Gasket, Volute | S05126 |
| 89 | Seal, Mechanical Shaft | S32690 |
| 800 | Capscrew, Hex 3/8-16x1" (8 Req.) | S26826 |
| 810 | Plug, Pipe 1/4 NPT (3 Req.) | S23715 |

| Item No. | Part Description | Part Number |
|----------|------------------|-------------|
| 811 | Fitting, Grease | S23670 |
| 816 | Ring, Retaining | S23009 |
| 816 | Ring, Retaining | S23010 |

- Shaft Replacement Kit** available for this model. Berkeley part number **B80699**. Pump Shaft sold in shaft replacement kit only.

* Includes grease fitting and set screw.



TYPE "B" SINGLE STAGE CENTRIFUGAL PUMP Bearing Frame Mount

| | |
|----------------|-----------------|
| Section | FM |
| Page | 130.7.1 |
| Date | January 1, 2004 |
| Supersedes/New | |

BRONZE IMPELLER

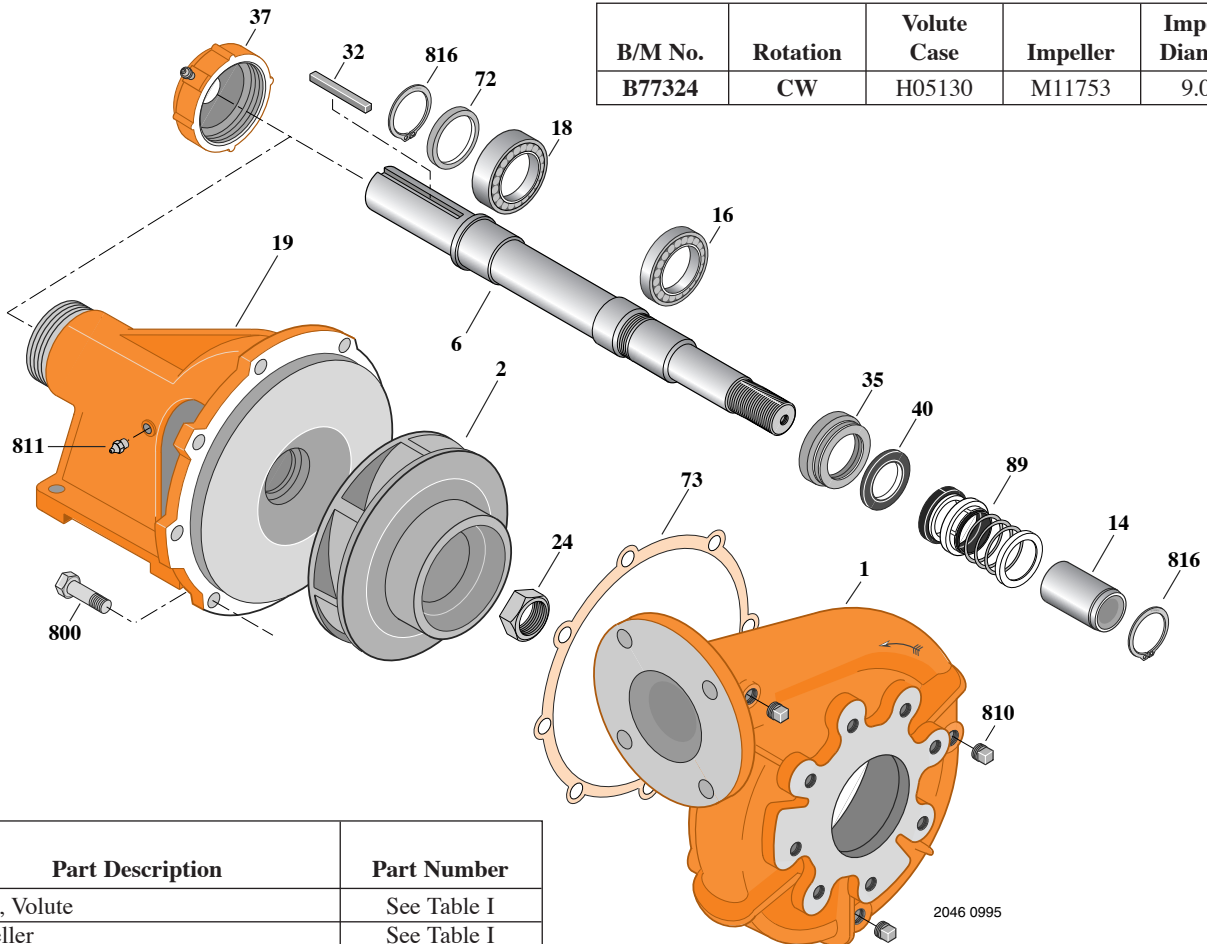
B3ZRMS

Flanged Case

Mechanical Seal Construction

TABLE I

| B/M No. | Rotation | Volute Case | Impeller | Impeller Diameter |
|---------|----------|-------------|----------|-------------------|
| B77324 | CW | H05130 | M11753 | 9.00" |



2046 0995

| Item No. | Part Description | Part Number |
|----------|----------------------------------|-------------|
| 1 | Case, Volute | See Table I |
| 2 | Impeller | See Table I |
| 6 | Shaft (Not sold separately) | See Note 1 |
| 14 | Sleeve, Shaft | S39242 |
| 16 | Bearing, Ball | S13270 |
| 18 | Bearing, Ball | S13271 |
| 19 | Frame | H04007 |
| 24 | Locknut, Impeller | M10220 |
| 32 | Key, 1/4x21-1/8" | S24255 |
| 35 | Inner Bearing Cap | S19033 |
| 37 | Outer Bearing Cap Assembly* | S19914 |
| 40 | Slinger, Water | S12260 |
| 72 | Ring, Thrust | S29218 |
| 73 | Gasket, Volute | S05126 |
| 89 | Seal, Mechanical Shaft | S32690 |
| 800 | Capscrew, Hex 3/8-16x1" (8 Req.) | S26826 |
| 810 | Plug, Pipe 1/4 NPT (3 Req.) | S23715 |

| Item No. | Part Description | Part Number |
|----------|------------------|-------------|
| 811 | Fitting, Grease | S23670 |
| 816 | Ring, Retaining | S23009 |
| 816 | Ring, Retaining | S23010 |

- Shaft Replacement Kit** available for this model. Berkeley part number **B80699**. Pump Shaft sold in shaft replacement kit only.

* Includes grease fitting and set screw.