



Type "B" Single Stage Centrifugal Pump Bearing Frame Mount

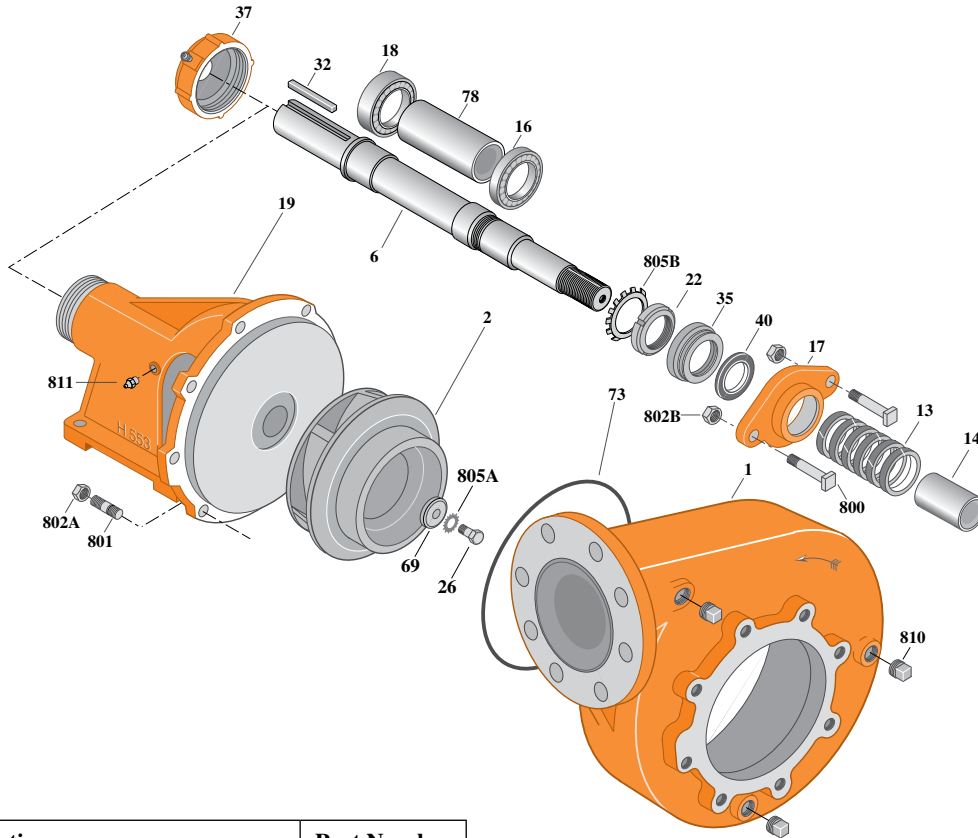
Section	FM
Page	240.1
Date	July 1, 2011
Supersedes 1/1/04	

CAST IRON IMPELLER

B6ZRL

Flanged Case

Packing Construction



Item	Part Description	Part Number
1	Case, Volute	See Table I
2	Impeller	See Table I
6	Shaft (Not sold separately)	See Note 2
13	Ring, Packing (Set of 6)	S14022
14	Sleeve, Shaft	S05127L
16	Bearing, Ball	S13270
17	Gland, Packing (See Note 1)	S04948
18	Bearing, Ball	S13271
19	Frame	H00553
22	Locknut	M10221
26	Screw, Impeller 3/8-16x2-1/4"	S23575
32	Key, 1/4x2-1/8"	S24255
35	Inner Bearing Cap	S19033
37	Outer Bearing Cap Assembly*	S19914
40	Slinger, Water	S12260
69	Washer, Impeller	S06314
73	O-Ring (See Note 3)	M14943
78	Sleeve, Spacer	S08980

* Includes grease fitting and set screw.

Table I

B/M No.	Rotation	Volute Case	Impeller	Impeller Diameter
B69504	CW	H05065	M04272	8" x 9"

Item	Part Description	Part Number
800	Bolt, Sq. Head 3/8-16x2-1/2" (2 Req.)	S23762
801	Stud, 3/8-16x1-1/4" (8 Req.)	S23994
802A	Nut, Hex 3/8-16 (8 Req.)	S23103
802B	Nut, Hex 3/8-16 (2 Req.)	S23343
805A	Washer, Lock	S23036
805B	Washer, Bearing Lock	S16181
810	Plug, Pipe 1/2 NPT (3 Req.)	S23717
811	Fitting, Grease	S23670

NOTE 1: A two piece (split) stainless steel packing gland is available for replacement, order part number B82468.

NOTE 2: Shaft Replacement Kit available for this model. Berkeley part number B07480. Pump Shaft sold in shaft replacement kit only.

NOTE 3: Also accepts gasket S05126 as replacement for o-ring. See **Supplement E** located at the beginning of this section.



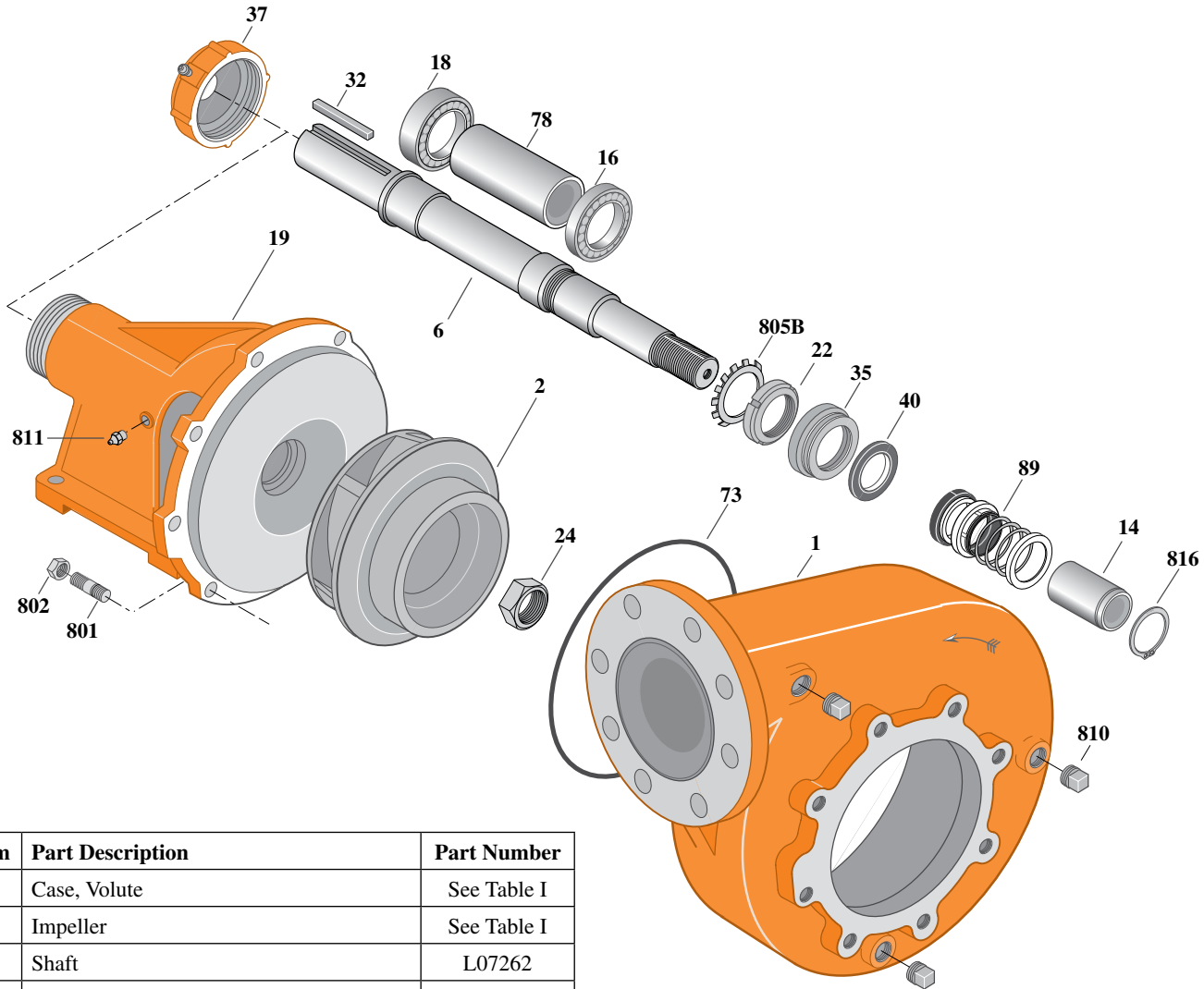
Type "B" Single Stage Centrifugal Pump Bearing Frame Mount

Section	FM
Page	240.2
Date	July 1, 2011
Supersedes 1/1/04	

CAST IRON IMPELLERB6ZRLS

Flanged Case

Mechanical Shaft Seal Construction



Item	Part Description	Part Number
1	Case, Volute	See Table I
2	Impeller	See Table I
6	Shaft	L07262
14	Sleeve, Shaft	S39242L
16	Bearing, Ball	S13270
18	Bearing, Ball	S13271
19	Frame	H04007
22	Locknut	M10221
24	Locknut, Impeller	M10220
32	Key, 1/4x2-1/8"	S24255
35	Inner Bearing Cap	S19033
37	Outer Bearing Cap Assembly*	S19914
40	Slinger, Water	S12260
73	O-Ring (See Note 1)	M14943
78	Sleeve, Spacer	S08980
89	Seal, Mechanical Shaft	S32690

* Includes grease fitting and set screw.

Table I

B/M No.	Rotation	Volute Case	Impeller	Impeller Diameter
B69760	CW	H05065	L07263	8" x 9"

Item	Part Description	Part Number
801	Stud, 3/8-16x1-1/2" (8 Req.)	S23995
802	Nut, Hex 3/8-16 (8 Req.)	S23103
805B	Washer, Bearing Lock	S16181
810	Plug, Pipe 1/2 NPT (3 Req.)	S23717
811	Fitting, Grease	S23670
816	Ring, Retaining	S23009

NOTE 1: Also accepts gasket S05126 as replacement for o-ring. See *Supplement E* located at the beginning of this section.