



TYPE "B" SINGLE STAGE CENTRIFUGAL PUMP Bearing Frame Mount

Section	FM
Page	110.2
Date	January 1, 2004
Supersedes 12/1/95	

CAST IRON IMPELLER

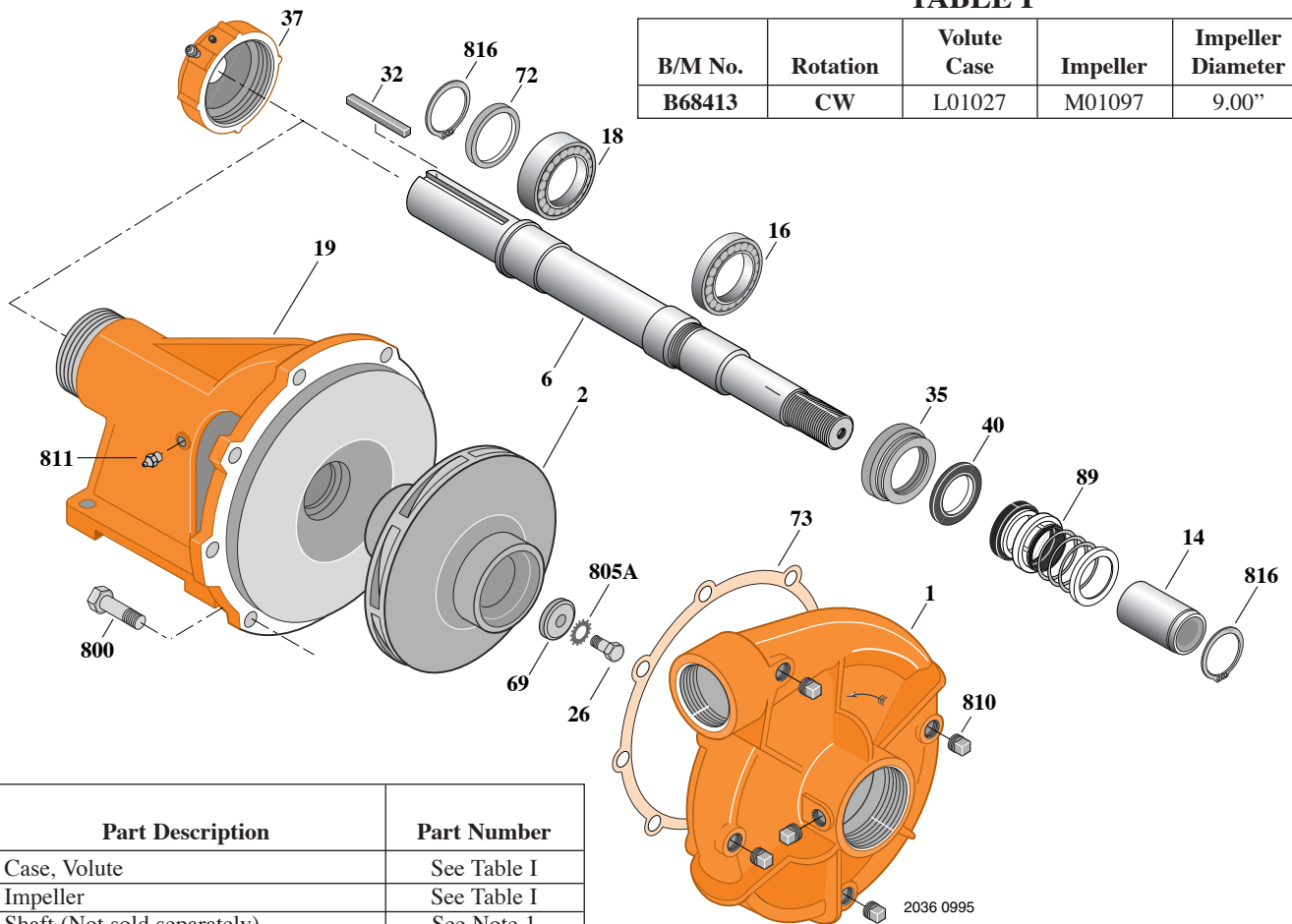
B2-1/2ZRMS

Threaded Case (NPT)

Mechanical Seal Construction

TABLE I

B/M No.	Rotation	Volute Case	Impeller	Impeller Diameter
B68413	CW	L01027	M01097	9.00"



Item No.	Part Description	Part Number
1	Case, Volute	See Table I
2	Impeller	See Table I
6	Shaft (Not sold separately)	See Note 1
14	Sleeve, Shaft	S39242
16	Bearing, Ball	S13270
18	Bearing, Ball	S13271
19	Frame	H04007
26	Screw, Impeller 3/8-16x1"	S23566
32	Key, 1/4x2-1/8"	S24255
35	Inner Bearing Cap	S19033
37	Outer Bearing Cap Assembly*	S19914
40	Slinger, Water	S12260
69	Washer, Impeller	S06314
72	Ring, Thrust	S29218
73	Gasket, Volute	S05126
89	Seal, Mechanical Shaft	S32690
800	Capscrew, Hex 3/8-16x7/8" (8 Req.)	S26825
805A	Washer, Lock	S23036
810	Plug, Pipe 1/4 NPT (5 Req.)	S23715

Item No.	Part Description	Part Number
811	Fitting, Grease	S23670
816	Ring, Retaining	S23010
816	Ring, Retaining	S23009

- Shaft Replacement Kit** available for this model. Berkeley part number **B75299**. Pump Shaft sold in shaft replacement kit only.

* Includes grease fitting and set screw.