



# TYPE "B" SINGLE STAGE CENTRIFUGAL PUMP Bearing Frame Mount

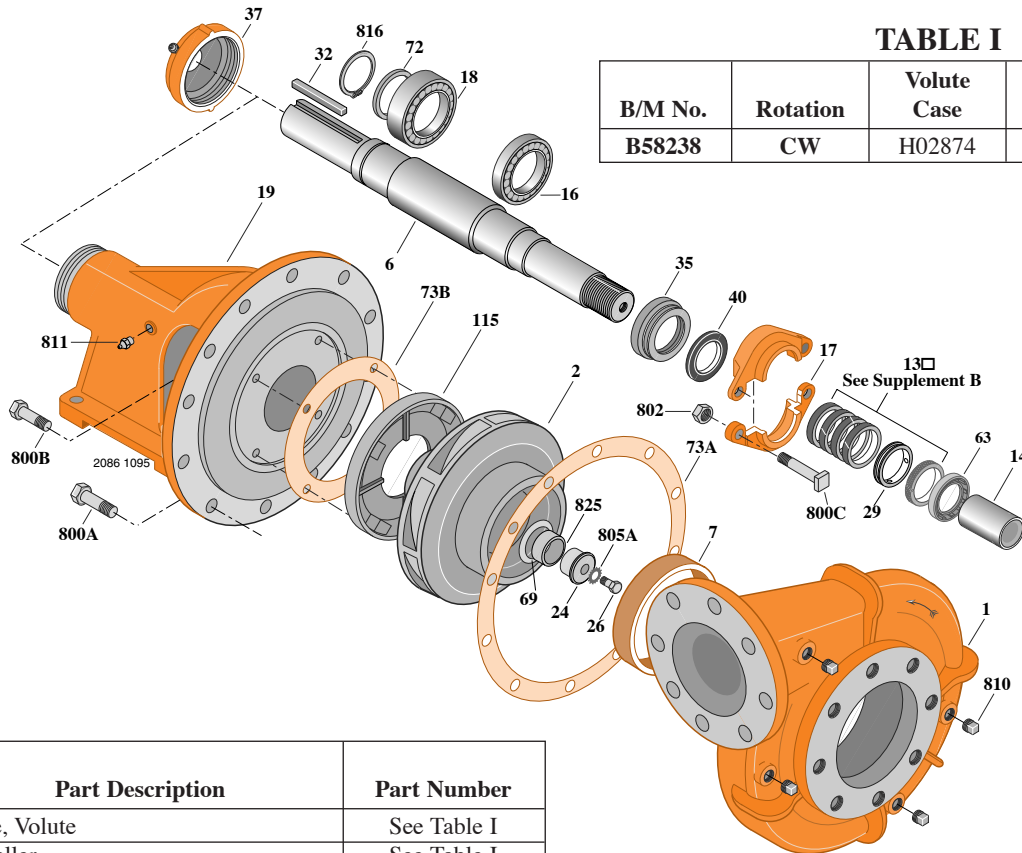
Section	FM
Page	290.1
Date	January 1, 2004
Supersedes 12/1/95	

**CAST IRON IMPELLER**

**B6JRMBH**

**Flanged Case**

**Packing Construction**



**TABLE I**

B/M No.	Rotation	Volute Case	Impeller	Impeller Diameter
B58238	CW	H02874	L05913	13.50"

Item No.	Part Description	Part Number
1	Case, Volute	See Table I
2	Impeller	See Table I
6	Shaft (Not sold separately)	See Note 1
7	Ring, Wearing	S04879
13	Ring, Packing	S13436
14	Sleeve, Shaft	S05974
16	Bearing, Ball	S15604
17	Gland, Packing	B82472
18	Bearing, Ball	S13396
19	Frame	H01599
24	Locknut, Impeller	S30387
26	Screw, Impeller 1/2-13x2-1/2"	S23629
29	Ring, Lantern	S18993
32	Key, 1/2x4"	S24214
35	Inner Bearing Cap	S05928
37	Outer Bearing Cap Assembly*	S35277
40	Slinger, Water	S10964
63	Bushing, Throat	S18992
69	Washer, Impeller	S19864
72	Ring, Thrust	S06519
73A	Gasket, Volute	S06271
73B	Gasket, Balance Ring	S09943

Item No.	Part Description	Part Number
115	Ring, Balance	M06113
800A	Capscrew, Hex 5/8-11x1-1/2"(12 Req.)	S26999
800B	Capscrew, Hex 3/8-16x1" (4 Req.)	S26826
800C	Bolt, Sq. Head 1/2-13x2-3/4" (2 Req.)	S23794
802	Nut, Hex 1/2-13x7/16" (2 Req.)	S23347
805A	Washer, Lock	S23038
810	Plug, Pipe 1/2 NPT (4 Req.)	S23717
811	Fitting, Grease	S23670
816	Ring, Retaining	S23016
825	Sleeve, Impeller Nut	S30388

1. **Shaft Replacement Kit** available for this model. Berkeley part number **B07596**. Pump Shaft sold in shaft replacement kit only.

\* Includes grease fitting.



# TYPE "B" SINGLE STAGE CENTRIFUGAL PUMP Bearing Frame Mount

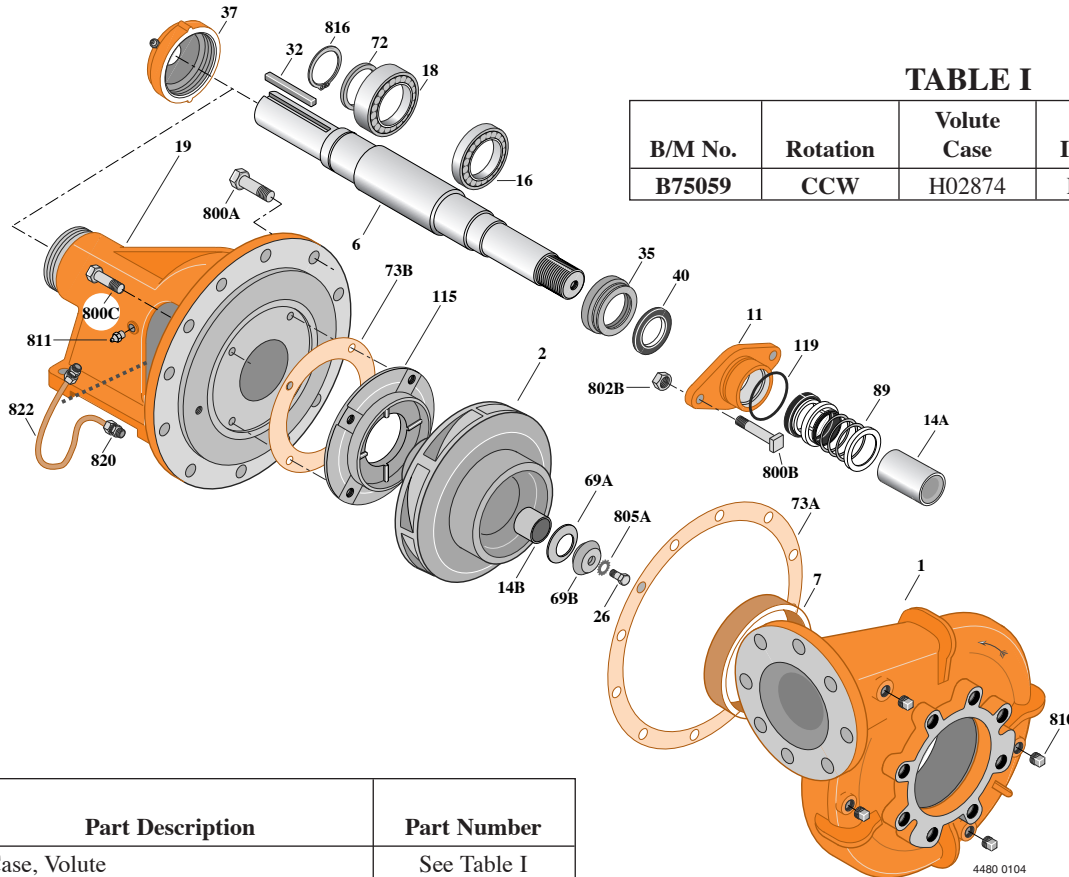
Section	FM
Page	290.2
Date	January 1, 2004
Supersedes/New	

**CAST IRON IMPELLER**

**B6JRMBHS**

**Flanged Case**

**Mechanical Seal Construction**



**TABLE I**

B/M No.	Rotation	Volute Case	Impeller	Impeller Diameter
<b>B75059</b>	<b>CCW</b>	H02874	L05913	13.50"

Item No.	Part Description	Part Number
1	Case, Volute	See Table I
2	Impeller	See Table I
6	Shaft (Not sold separately)	See Note 1
7	Ring, Wearing	S04879
11	Retainer, Mechanical Shaft Seal	S11452
14	Sleeve, Shaft	S05974
16	Bearing, Ball	S15604
18	Bearing, Ball	S13396
19	Frame	H01838
26	Screw, Impeller 1/2-13x2-1/2"	S23629
32	Key, 1/2x4"	S24214
35	Inner Bearing Cap	S05928
37	Outer Bearing Cap Assembly*	S35277
40	Slinger, Water	S10964
69	Washer, Impeller	S30387
72	Ring, Thrust	S06519
73A	Gasket, Volute	S06271
73B	Gasket, Balance Ring	S09943
89	Seal, Mechanical Shaft	S32693
115	Ring, Balance	M11150
119	O-Ring	S26471
800A	Capscrew, Hex 5/8-11x1-1/2" (12 Req.)	S26999
800B	Bolt, Sq. Head 1/2-13x2-1/4" (2 Req.)	S23792

Item No.	Part Description	Part Number
801	Capscrew, Hex 3/8-16x1" (4 Req.)	S26826
802A	Nut, Hex 3/8-16 (4 Req.)	S23103
802B	Nut, Hex 1/2-13x7/16" (2 Req.)	S23347
805A	Washer, Lock	S23038
810	Plug, Pipe 1/2 NPT (4 Req.)	S23717
811	Fitting, Grease	S23670
816	Ring, Retaining	S23016
820	Elbow, Comp. Fitting (2 Req.)	S24128
822	Tubing, Copper	S20677
??	Washer, Deflector	S19864
825	Sleeve, Impeller Nut	S30388

1. **Shaft Replacement Kit** available for this model. Berkeley part number **B07596**. Pump Shaft sold in shaft replacement kit only.

\* Includes grease fitting.