



TYPE "B" SINGLE STAGE CENTRIFUGAL PUMP Bearing Frame Mount

Section	FM
Page	170.1
Date	January 1, 2004
Supersedes 12/1/95	

CAST IRON IMPELLER

B4ERM

Flanged Case

Packing Construction

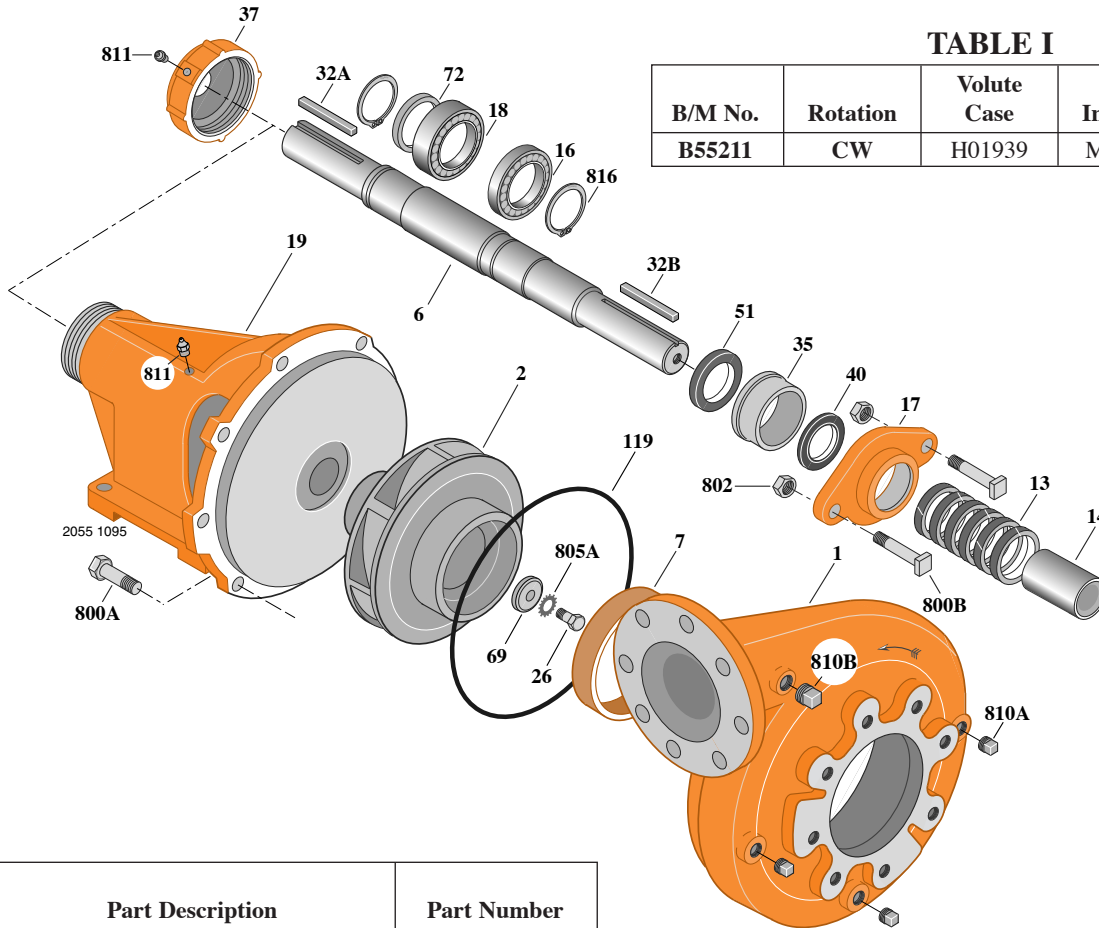


TABLE I

B/M No.	Rotation	Volute Case	Impeller	Impeller Diameter
B55211	CW	H01939	M06902	10.44"

Item No.	Part Description	Part Number
1	Case, Volute	See Table I
2	Impeller	See Table I
6	Shaft (Not sold separately)	See Note 2
7	Ring, Wearing	S13061
13	Ring, Packing (Set of 6)	S14022
14	Sleeve, Shaft	S05127
16	Bearing, Ball	S29895
17	Gland, Packing (See Note 1)	S04948
18	Bearing, Ball	S13271
19	Frame	H02089
26	Screw, Impeller 3/8-16x1-1/4"	S23568
32A	Key, 1/4x2-1/8"	S24255
32B	Key, 3/16x1-1/2"	S23500
35	Inner Bearing Cap	S13214
37	Outer Bearing Cap	S29308
40	Slinger, Water	M09685
51	Seal, Oil	S14763
69	Washer, Impeller	S06314
72	Ring, Thrust	S29218
119	O-Ring	S13760

Item No.	Part Description	Part Number
800A	Capscrew, Hex 1/2-13x1-1/4" (8 Req.)	S26914
800B	Bolt, Sq. Head 3/8-16x2-1/2" (2 Req.)	S23762
802	Nut, Hex 3/8-16" (2 Req.)	S23343
805A	Washer, Lock	S23036
810A	Plug, Pipe 1/4 NPT (3 Req.)	S23715
810B	Plug, Pipe 1/2 NPT (2 Req.)	S23717
811	Fitting, Grease (3 Req.)	S23670
816	Ring, Retaining (2 Req.)	S23010

1. A two piece (split) stainless steel packing gland is available for replacement, order part number **B82468**.
2. **Shaft Replacement Kit** available for this model. Berkeley part number **B60633**. Pump Shaft sold in shaft replacement kit only.



TYPE "B" SINGLE STAGE CENTRIFUGAL PUMP Bearing Frame Mount

Section	FM
Page	180.1
Date	January 1, 2004
Supersedes 12/1/95	

CAST IRON IMPELLER

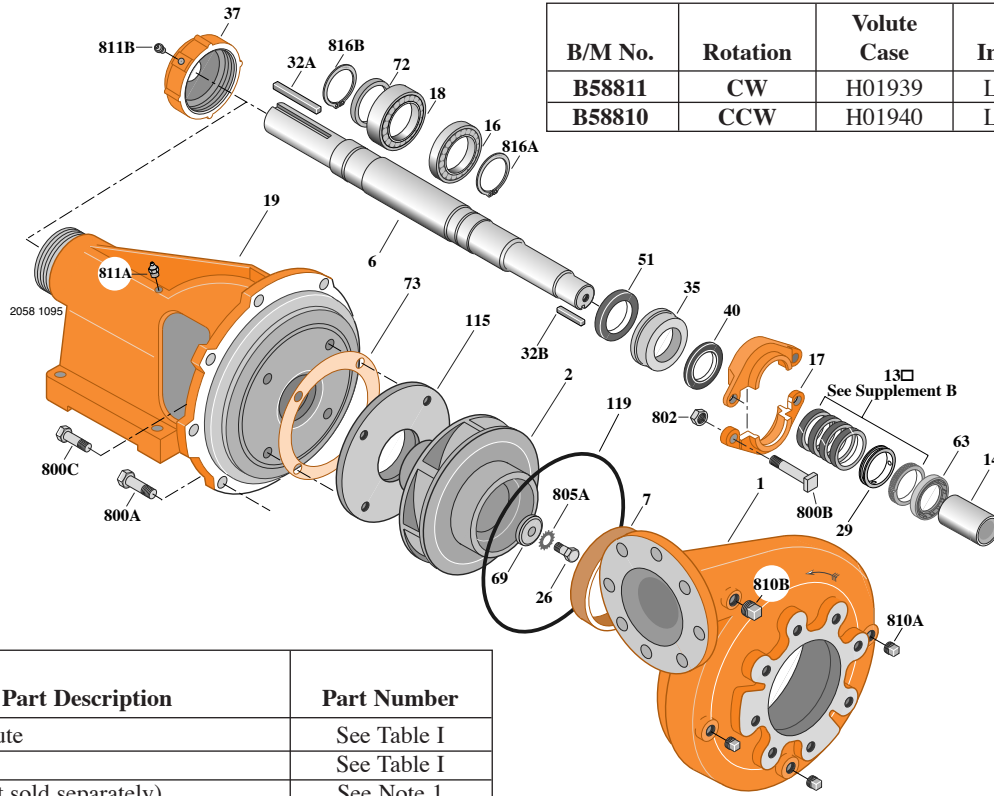
B4ERBM

Flanged Case

Packing Construction

TABLE I

B/M No.	Rotation	Volute Case	Impeller	Impeller Diameter
B58811	CW	H01939	L06015	10.44"
B58810	CCW	H01940	L06020	10.44"



Item No.	Part Description	Part Number
1	Case, Volute	See Table I
2	Impeller	See Table I
6	Shaft (Not sold separately)	See Note 1
7	Ring, Wearing	S32745
13	Ring, Packing (Set of 4)	S13436
14	Sleeve, Shaft	S05974
16	Bearing, Ball	S13395
17	Gland, Packing	B82472
18	Bearing, Ball	S13754
19	Frame	H01941
26	Screw, Impeller 1/2-13x1-1/2"	S23623
29	Ring, Lantern	S18993
32A	Key, 1/2x4"	S24214
32B	Key, 1/4x1-1/2"	S24170
35	Inner Bearing Cap	S13213
37	Outer Bearing Cap	M04551
40	Slinger, Water	S10964
51	Seal, Oil	S14764
63	Bushing, Throat	S14122
69	Washer, Impeller	S18117
72	Ring, Thrust	S19221
73	Gasket, Balance Ring	S09943
115	Ring, Balance	L03649
119	O-Ring	S13760
800A	Capscrew, Hex 1/2-13x1-1/4" (8 Req.)	S26914

Item No.	Part Description	Part Number
800B	Bolt, Sq. Head 1/2-13x2-1/2" (2 Req.)	S23793
800C	Capscrew, Hex 3/8-16x1" (4 Req.)	S26826
802	Nut, Hex 1/2-13x7/16" (2 Req.)	S23347
805A	Washer, Lock	S23038
810A	Plug, Pipe 1/4 NPT (3 Req.)	S23715
810B	Plug, Pipe 1/2 NPT (2 Req.)	S23717
811A	Fitting, Grease	S23670
811B	Fitting, Grease (3 Req.)	S23700
816A	Ring, Retaining	S23016
816B	Ring, Retaining	S23017

1. **Shaft Replacement Kit** available for this model. Berkeley part number **B60659**. Pump Shaft sold in shaft replacement kit only.



TYPE "B" SINGLE STAGE CENTRIFUGAL PUMP Bearing Frame Mount

Section	FM
Page	180.2
Date	January 1, 2004
Supersedes 12/1/95	

CAST IRON IMPELLER

B4ERBMS

Flanged Case

Mechanical Seal Construction

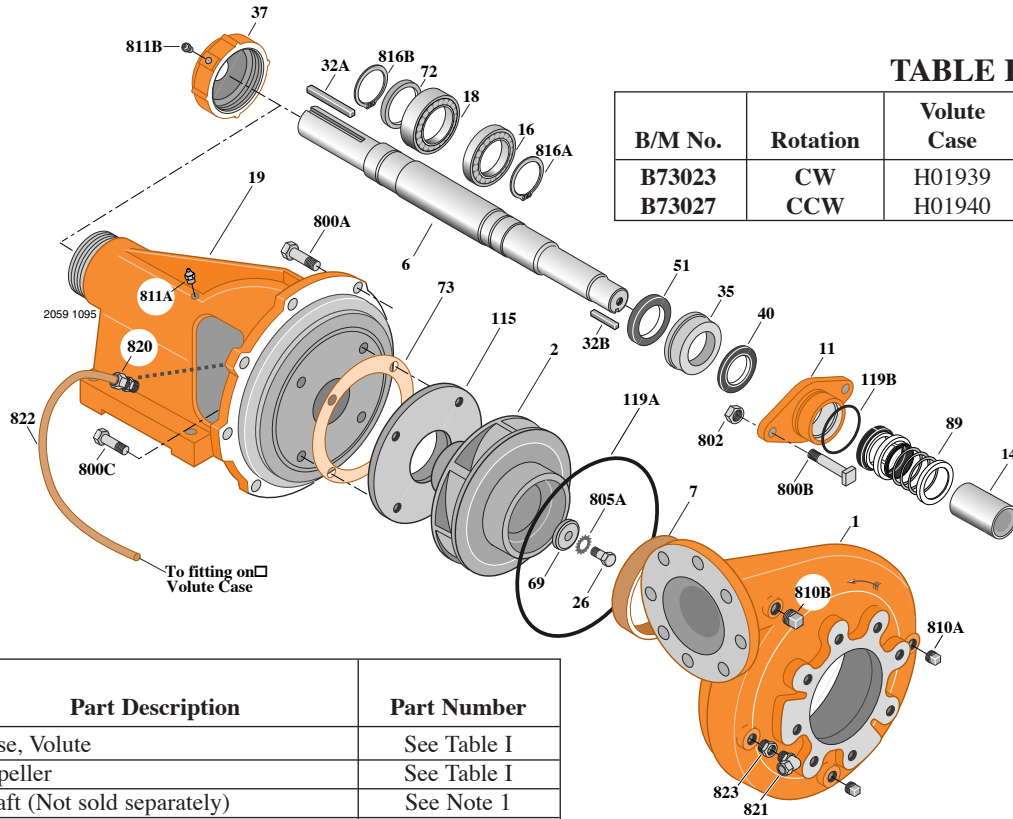


TABLE I

B/M No.	Rotation	Volute Case	Impeller	Impeller Diameter
B73023	CW	H01939	L06015	10.44"
B73027	CCW	H01940	L06020	10.44"

Item No.	Part Description	Part Number
1	Case, Volute	See Table I
2	Impeller	See Table I
6	Shaft (Not sold separately)	See Note 1
7	Ring, Wearing	S32745
11	Retainer, Mechanical Shaft Seal	S11452
14	Sleeve, Shaft	S05974
16	Bearing, Ball	S13395
18	Bearing, Ball	S13754
19	Frame	H05508
26	Screw, Impeller 1/2-13x1-1/2"	S23623
32A	Key, 1/2x4"	S24214
32B	Key, 1/4x1-1/2"	S24170
35	Inner Bearing Cap	S13213
37	Outer Bearing Cap	M04551
40	Slinger, Water	S10964
51	Seal, Oil	S14764
69	Washer, Impeller	S18117
72	Ring, Thrust	S19221
73	Gasket, Balance Ring	S09943
89	Seal, Mechanical Shaft	S32693
115	Ring, Balance	L03649
119A	O-Ring	S13760
119B	O-Ring	S24599
800A	Capscrew, Hex 1/2-13x1-1/4" (8 Req.)	S26914
800B	Bolt, Sq. Head 1/2-13x2-1/4" (2 Req.)	S23792
800C	Capscrew, Hex 3/8-16x1" (4 Req.)	S26826
802	Nut, Hex 1/2-13x7/16" (2 Req.)	S23347
805A	Washer, Lock	S23038

Item No.	Part Description	Part Number
810A	Plug, Pipe 1/4 NPT (3 Req.)	S23715
810B	Plug, Pipe 1/2 NPT (2 Req.)	S23717
811A	Fitting, Grease	S23670
811B	Fitting, Grease (2 Req.)	S23700
816A	Ring, Retaining	S23016
816B	Ring, Retaining	S23017
820	Connector, Comp. Fitting	S24013
821	Elbow, Comp. Tube Fitting	S24128
822	Tubing, Copper	S20677
823	Bushing, Pipe	S24600
•	Screw, Set	S23982

• Not illustrated.

- Shaft Replacement Kit** available for this model. Berkeley part number **B60659**. Pump Shaft sold in shaft replacement kit only.